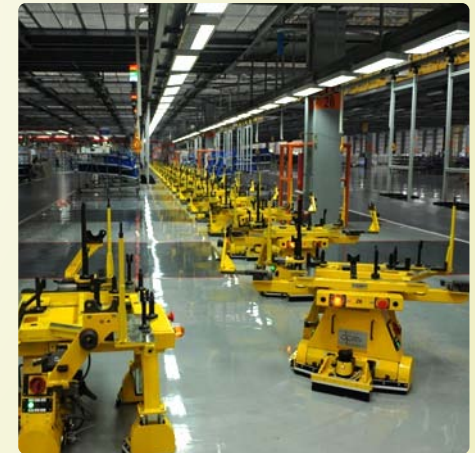
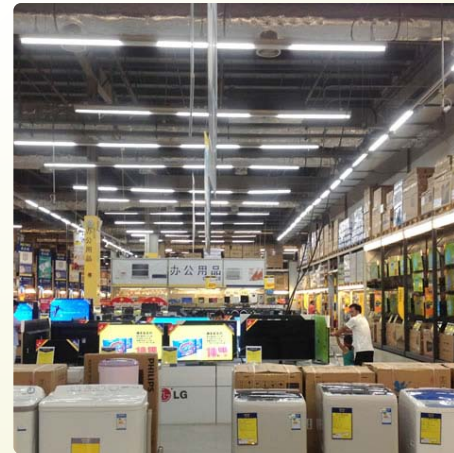
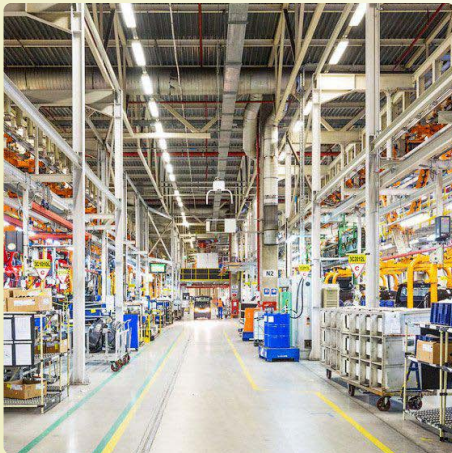


# LED TRI-PROOF LIGHT

Professional LED Lighting Suppliers

CE / RoHS / FCC



**深圳市江景照明有限公司**  
Shenzhen Jiangjing Lighting Co.,Ltd.

## LED Tri-proof Light

### Features

Input Voltage : AC100-240V

IP Grade : IP65

Emitting Color : 3000K-6500K

Beam angle: 120°

Shell Material: Aluminum + PCB

CRI :  $\geq 75$

LED Chips: Epistar

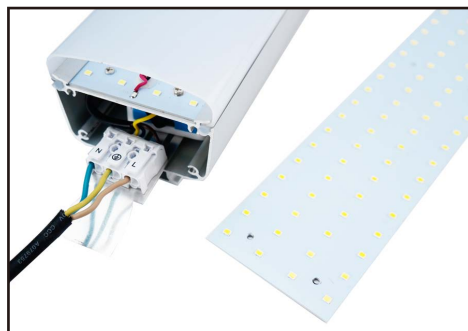
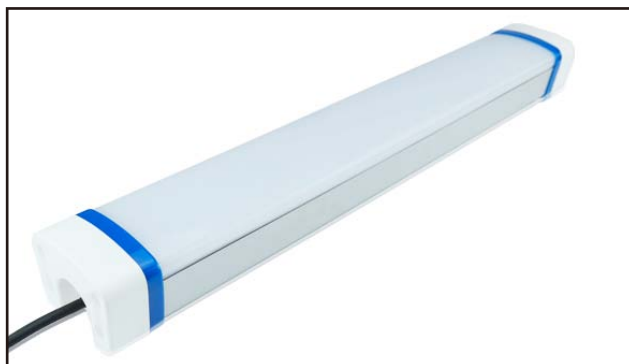
Lifespan : 50,000h

LED source : SMD 2835

PF :  $\geq 0.90$

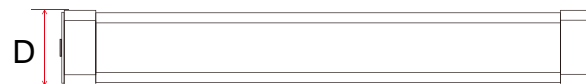
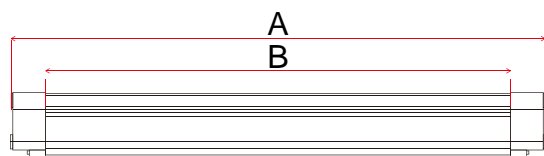
Certification : CE / RoHS / FCC

Warranty : 3 year



## Parameter

Model	Current	Power	LED Qty	Lumen	N.W
JJ-TPL30W-600	150 mA	30 W	192 pcs	2800 lm	1.35 kg/pcs
JJ-TPL45W-900	225 mA	45 W	288 pcs	4275 lm	2.20 kg/pcs
JJ-TPL60W-1200	295 mA	60 W	336 pcs	5700 lm	3.00 kg/pcs
JJ-TPL80W-1500	395 mA	80 W	432 pcs	7600 lm	4.00 kg/pcs
JJ-TPL100W-1800	495 mA	100 W	576 pcs	9500 lm	5.10 kg/pcs

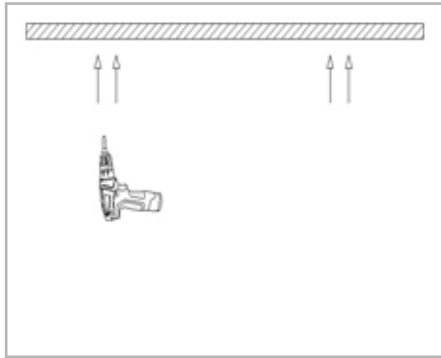


Model	A Total length	B Luminous surface	C Height	D Width
JJ-TPL30W-600	600 mm	516 mm	73.5 mm	89.6 mm
JJ-TPL45W-900	900 mm	816 mm		
JJ-TPL60W-1200	1200 mm	1116 mm		
JJ-TPL80W-1500	1500 mm	1416 mm		
JJ-TPL100W-1800	1800 mm	1716 mm		

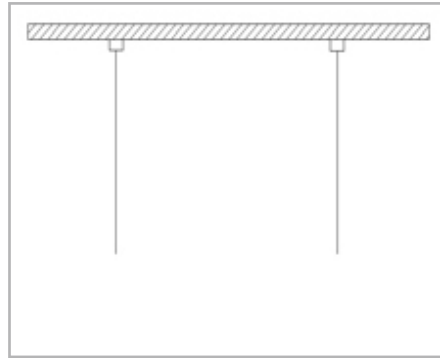
## Installation Diagram

---

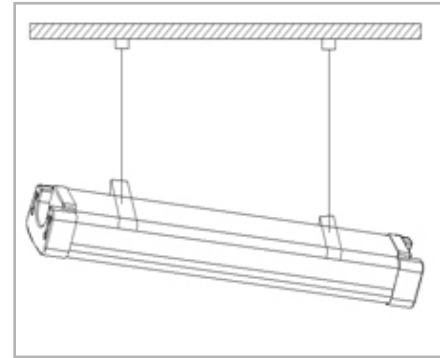
(a). Drill in the ceiling.



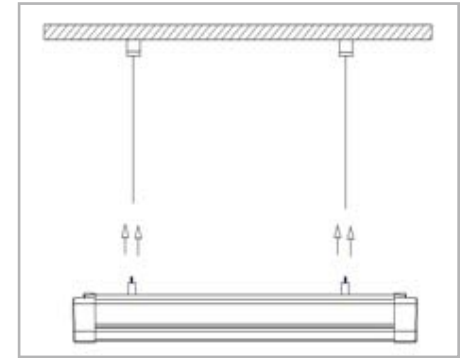
(b). Install Lamps sling.



(c). Mount the fixing member.



(d). Install lamp, power ups.



**深圳市江景照明有限公司**  
Shenzhen Jiangjing Lighting Co.,Ltd.

Address : Building A,Chuangfu Industrial Park, Aiqun Road, Shiyuan Street ,Baoan District, Shenzhen City, CHINA. 518108 .

Telephone : +86-755-27356576                      +86-755-27356495

Fax : +86-755-27354763

Email : [info@szjiangjing.com](mailto:info@szjiangjing.com)

Web : [www.t8-downlight.com](http://www.t8-downlight.com)